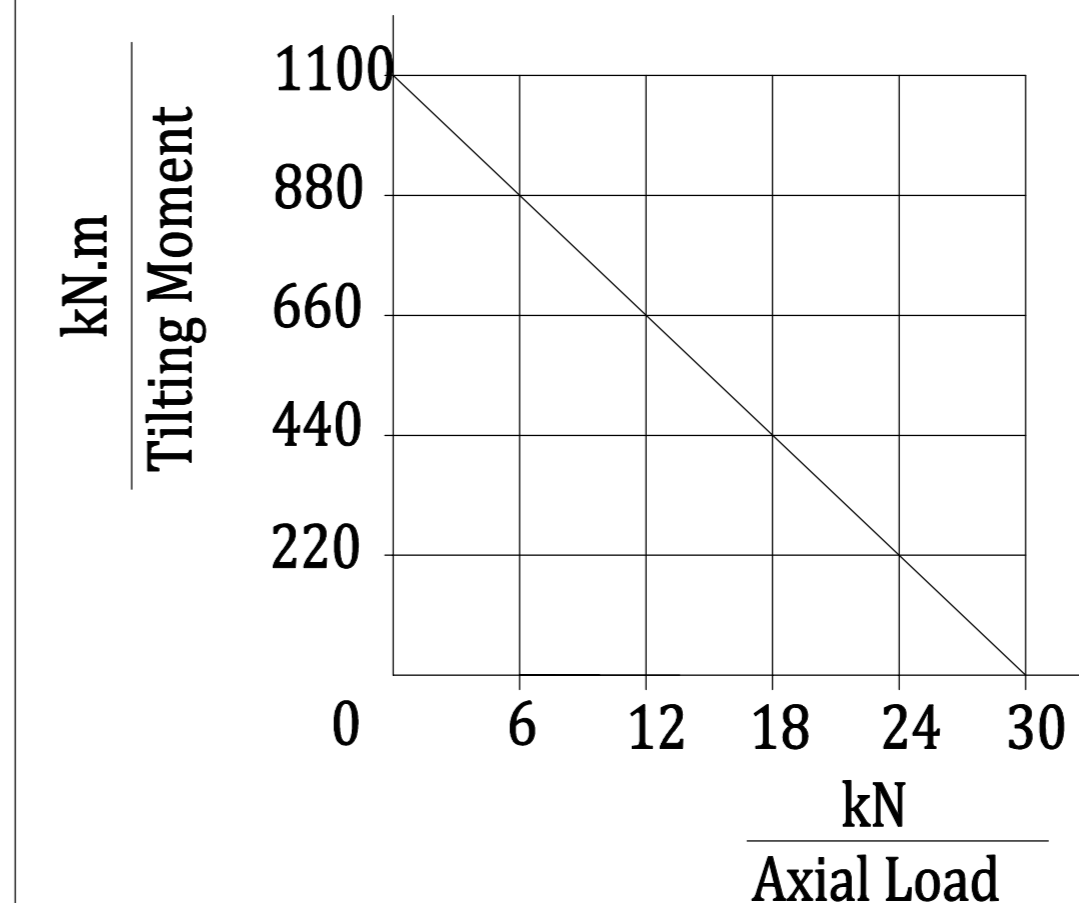


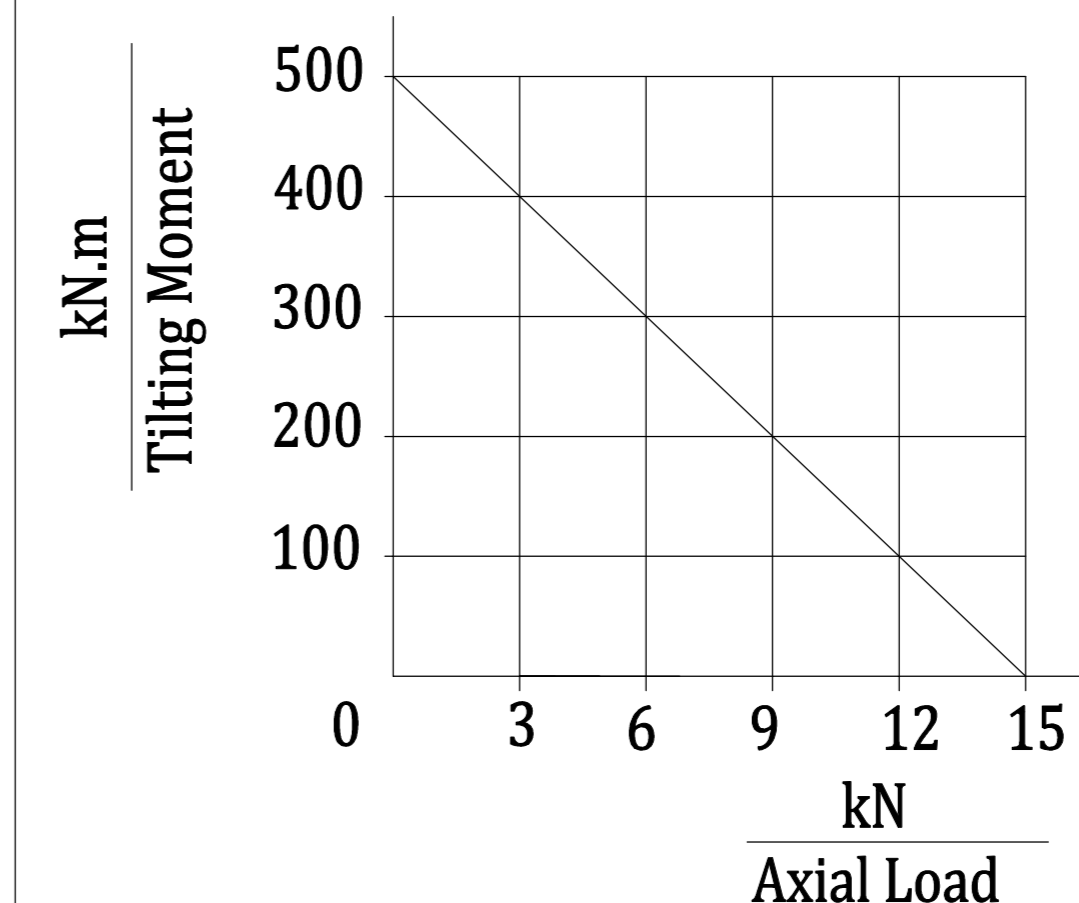
MOMENT LOAD CHART

Axial Load & Tilting Moment

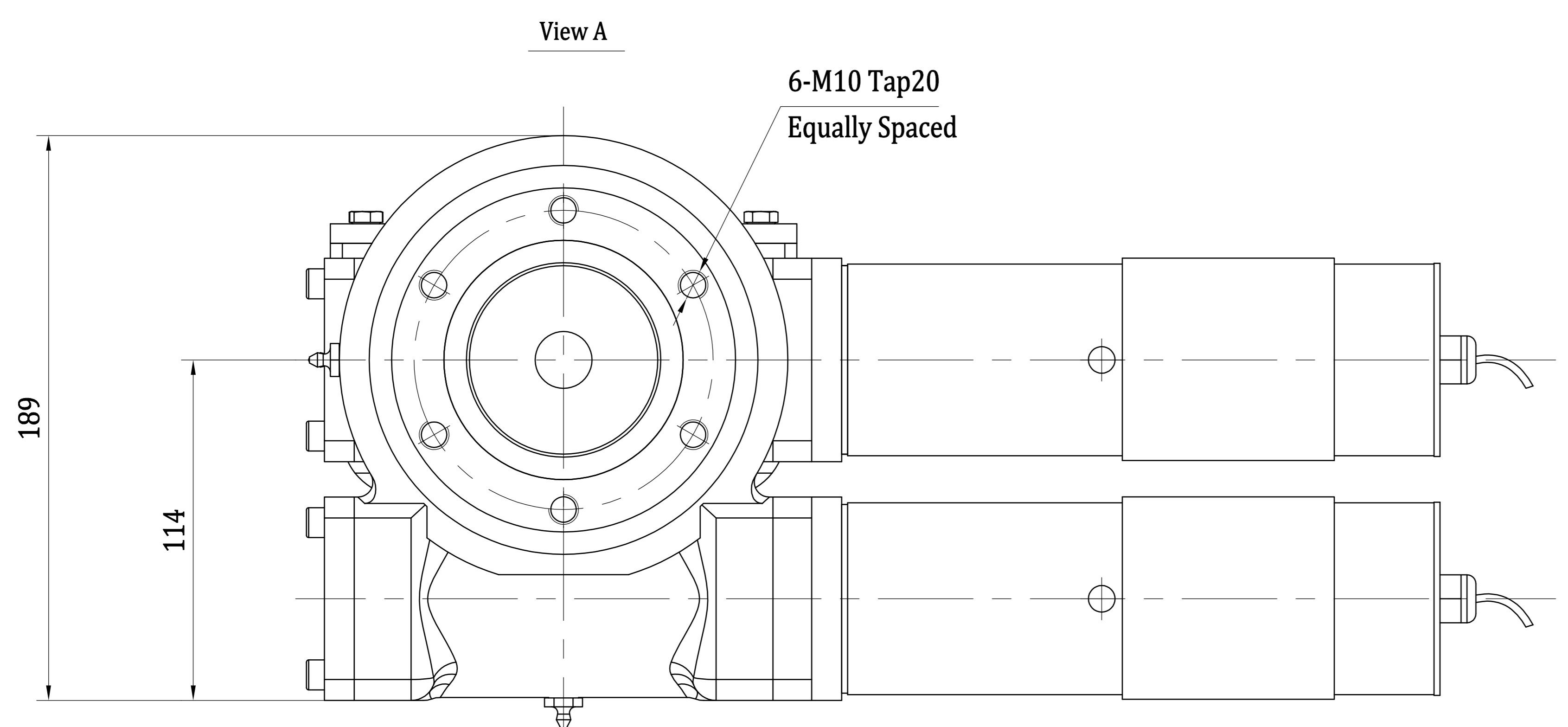


MOMENT LOAD CHART

Axial Load & Tilting Moment

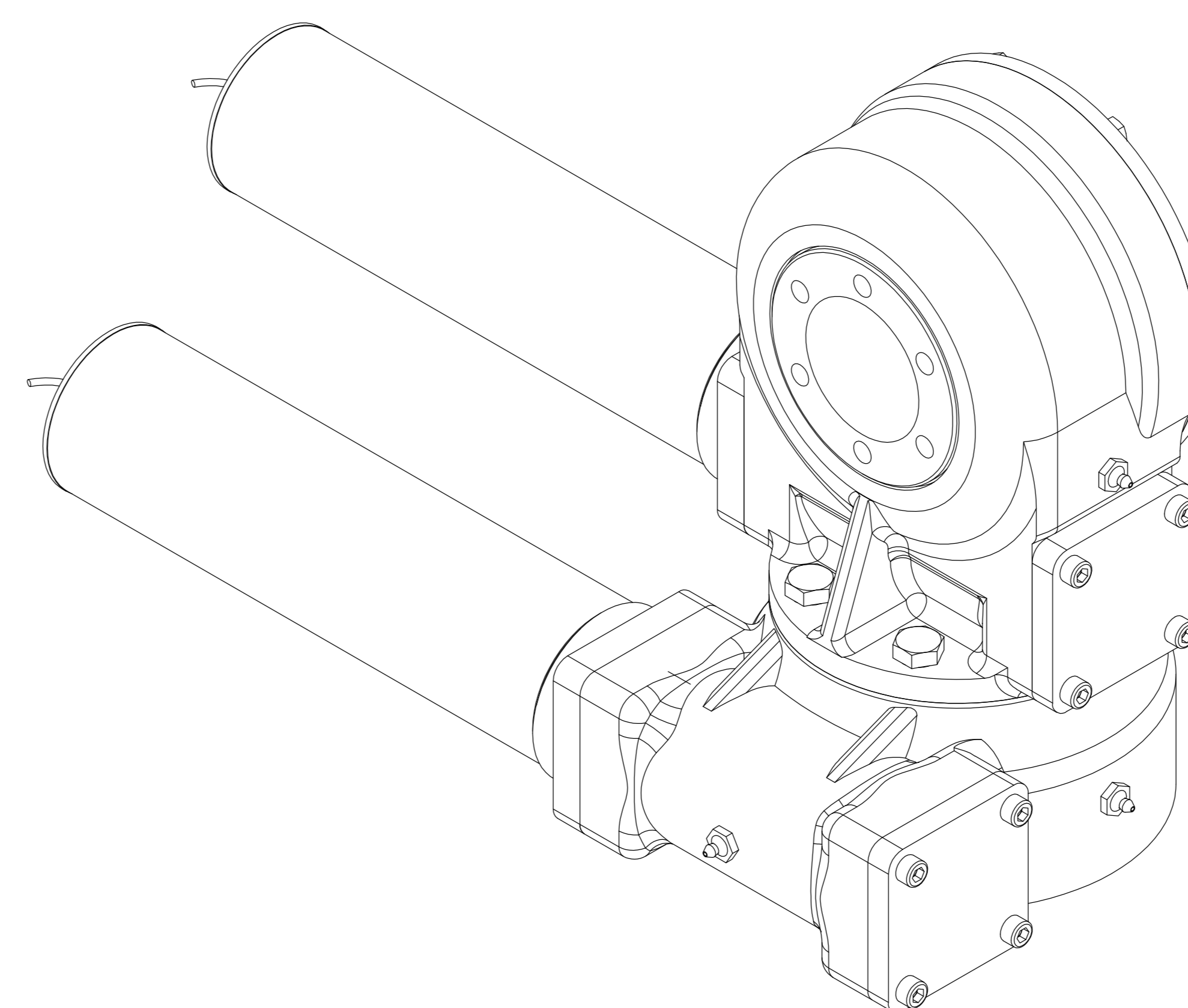


Wire Define:
Pin 1 (black) motor -
Pin 2 (red) motor +



Cable
1m

Cable
1m



Slewing Drive Performance Parameters (Elevation)

Rated Output Speed	0.484rpm	
Output Torque	335N.m	247 lbf.ft
Tilting Moment	1200 N.m	888 lbf.ft
Holding Torque	2200N.m	1623 lbf.ft
Static Axial Rating	32 kN	7200 lbf
Static Radial Rating	18 kN	4050 lbf
Dynamic Axial Rating	10 kN	2250 lbf
Dynamic Radial Rating	9 kN	2025 lbf
Gear Ratio	62:1	
Precision	≤0.2°	

12VDC Planetary Reducer Motor Performance Data (12/300/18)


Rated Voltage	12VDC
Noises	≤65dB
IP Class	IP 65
Rated Current	≤15 A

Slewing Drive Performance Parameters (Horizontal)

Rated Output Speed	0.484rpm	
Output Torque	335N.m	247 lbf.ft
Tilting Moment	1200 N.m	888 lbf.ft
Holding Torque	2200N.m	1623 lbf.ft
Static Axial Rating	32 kN	7200 lbf
Static Radial Rating	18 kN	4050 lbf
Dynamic Axial Rating	10 kN	2250 lbf
Dynamic Radial Rating	9 kN	2025 lbf
Gear Ratio	62:1	
Precision	≤0.2°	

12VDC Planetary Reducer Motor Performance Data (12/300/18)

Rated Voltage	12VDC
Noises	≤65dB
IP Class	IP 65
Rated Current	≤15A

REV	DATE	REVISER	REVISER		
DESIGNED BY	2019/8/1	Li Ming	 www.coresundrive.com Coresun Drive Equipment Changzhou Co., Ltd.		
CHECKED BY	2019/8/1	Rui Wang			
APPROVED BY	2019/8/1	Shane Zhang			
ALL PROPRIETARY RIGHTS IN THE SUBJECT MATTER HERE OF ARE RESERVED, AND NO PERMISSION IS GRANTED OR TO DISCLOSE REPRODUCE THIS PRINT IN WHOLE OR IN PART, ANY OF THE INFORMATION TO OTHERS.			WEIGHT	SCALE	Slewing Drive
			30 kg	1 : 3	
SYMBOLS ISO			SIZE	A3	SVH3-62B-RC-1230018
			SHEET	1 / 1	
					REV A