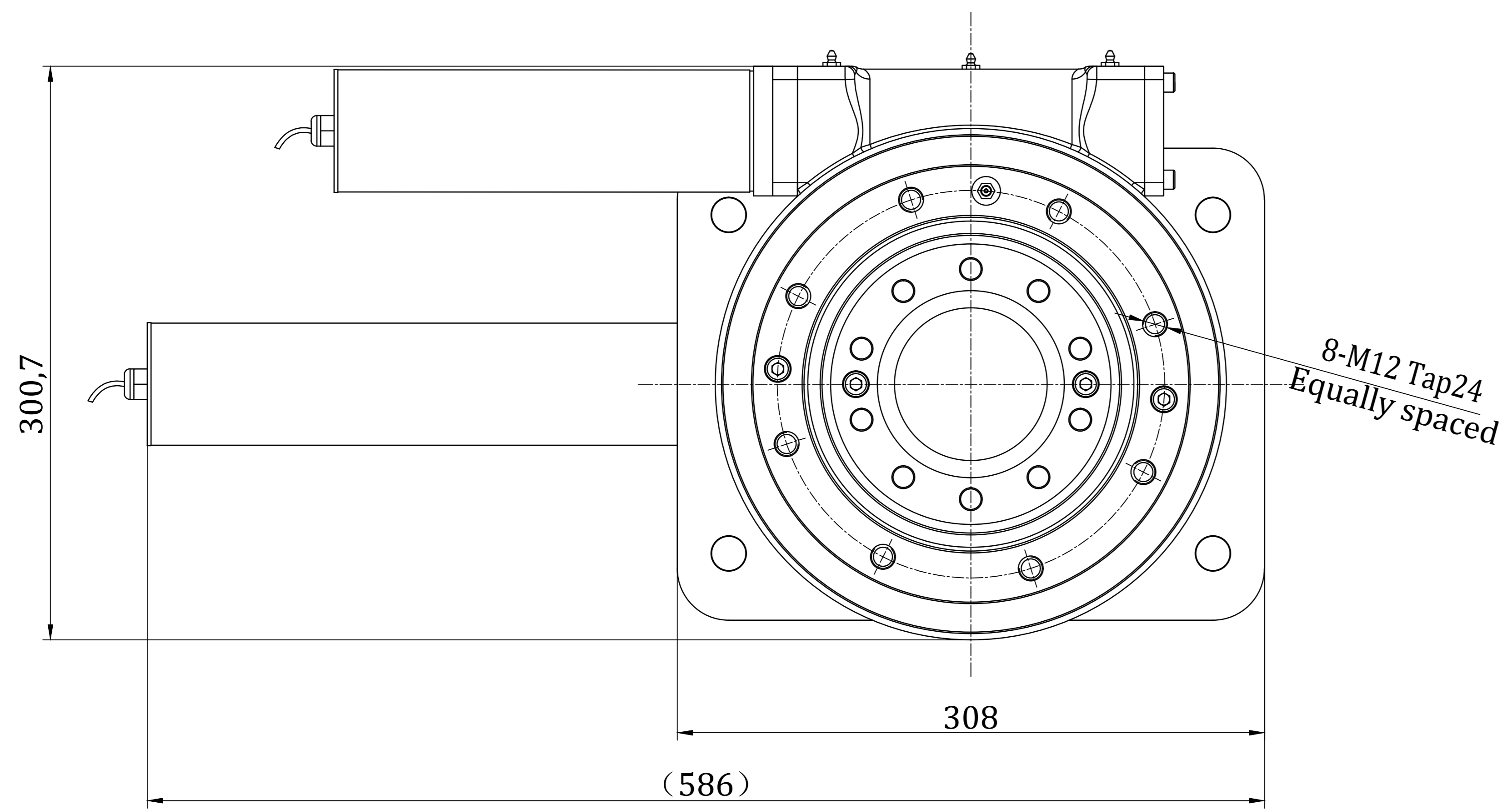
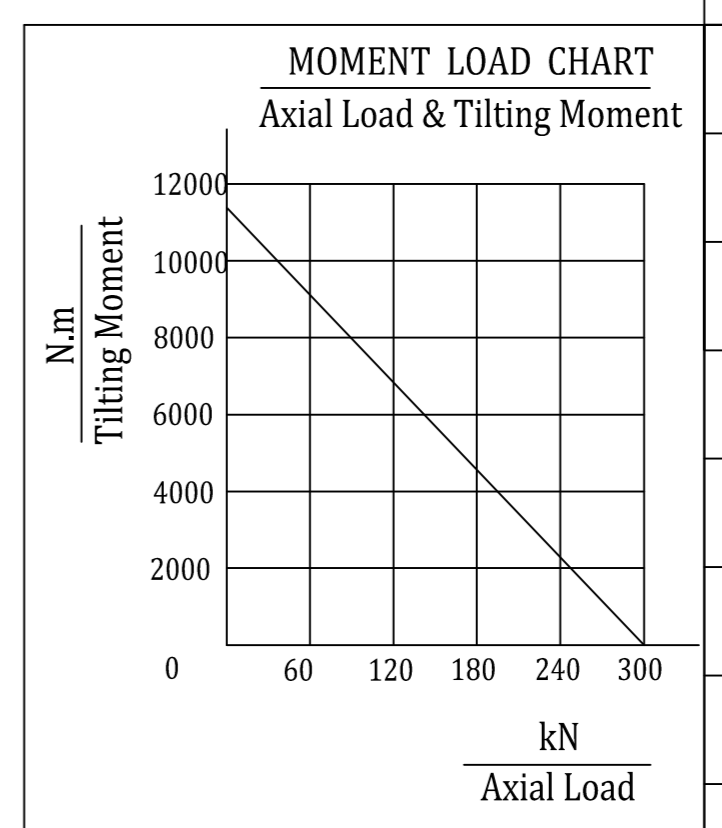
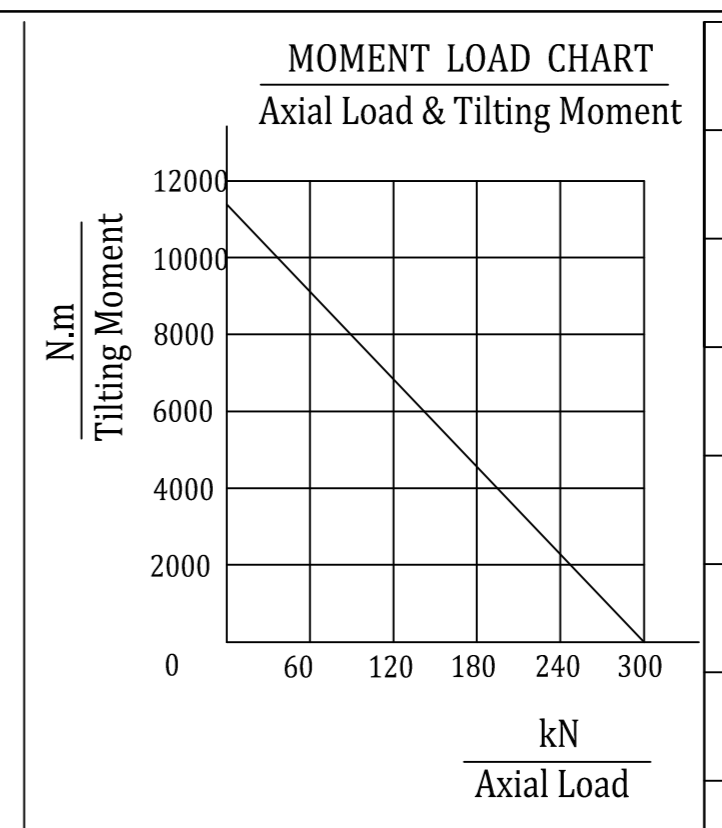
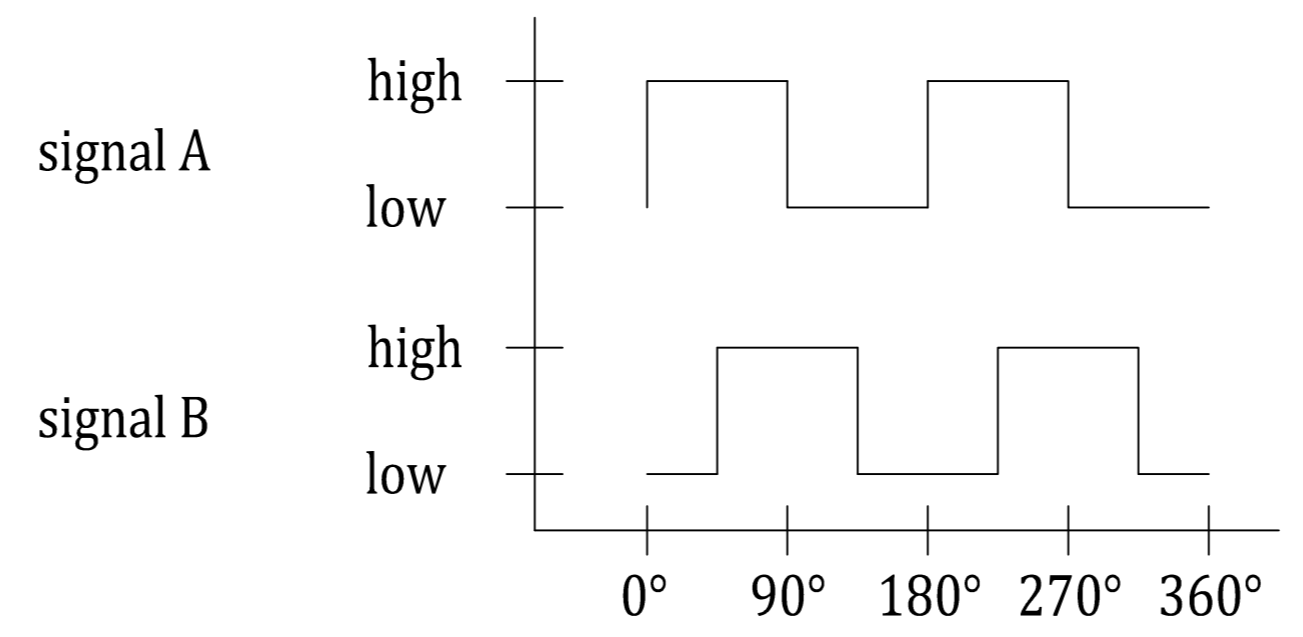


Wire Define:  
 Pin 1 (black thick) motor -  
 Pin 2 (red thick) motor +  
 Pin 3 (black thin) hall GND  
 Pin 4 (red thin) hall +  
 Pin 5 (green) hall A  
 Pin 6 (blue) hall B  
 Pin E (yellow) Ground

A View



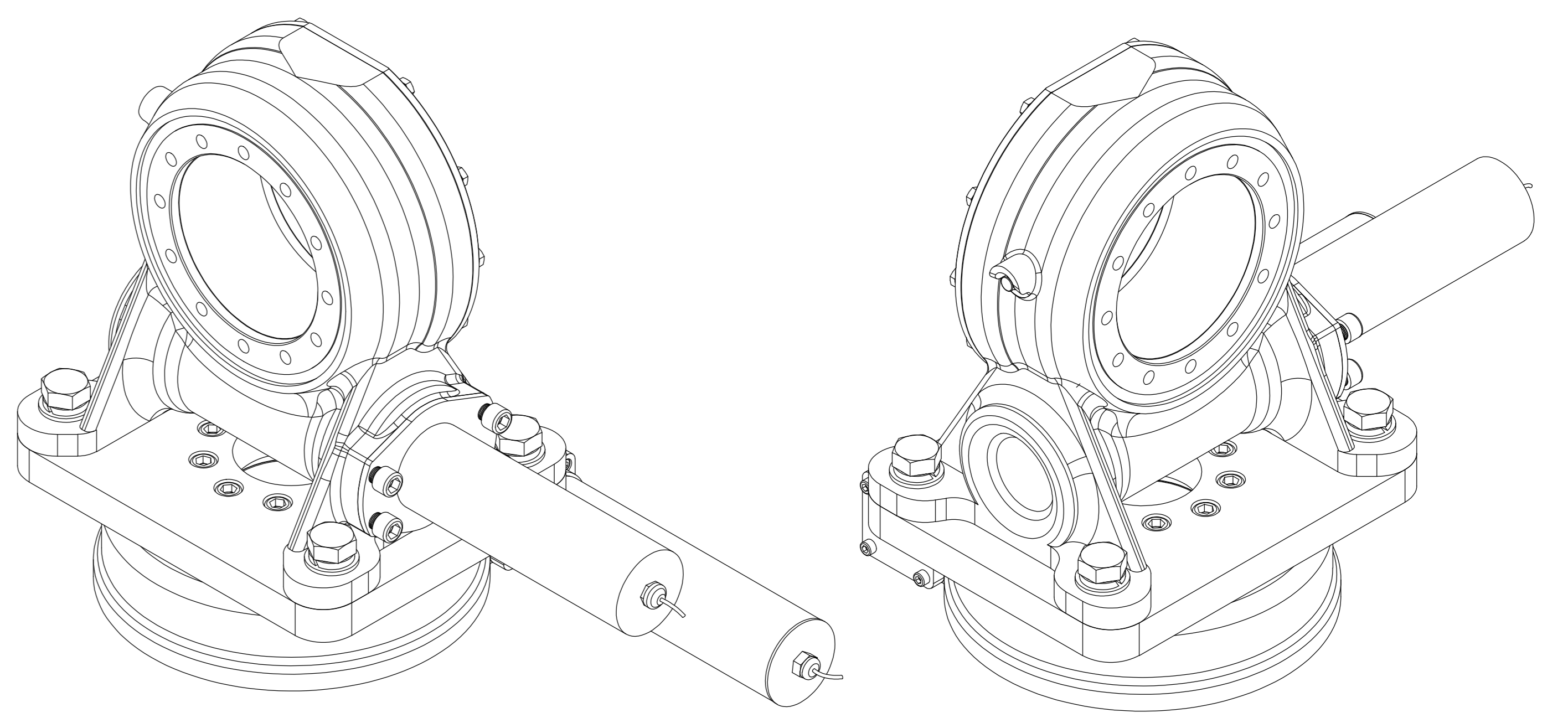
MAGNETIC PULSE GENERATOR DATA		
Output type	-	voltage output
pull-up resistor	-	yes
Output signal	-	2 square wave signals
Phase quadrature	-	90 °
Impulses per revolution	ppr	2,channels A and B
Operating voltage	VDC	DC5-24
Operating current	mA	max. 12
Deviation of pulse width	-	max. 15 °
Deviation of phase shift	-	max. 15 °
Output voltage(low level)	VDC	max. 0.4 (20mA)
SIGNAL RISE TIME	ns	85
SIGNAL DECAY TIME	ns	60
Operation temperature	°C	-40 - +85



Slewing Drive Performance Parameters (Horizontal)	
Rated Output Speed	<0.042rpm
Output Torque	937N.m
Tilting Moment	13.5 kN.m
Holding Torque	10.4 kN.m
Static Axial Rating	133 kN
Static Radial Rating	53 kN
temperature	-30°C~+60°C
Gear Ratio	71 : 1
Precision	≤ 0.17 °

Slewing Drive Performance Parameters (Elevation)	
Rated Output Speed	<0.05rpm
Rated Output Torque	2100N.m
Tilting Moment	10 kN.m
Holding Torque	42 kN.m
Static Axial Rating	110 kN
Static Radial Rating	60 kN
temperature	-30°C~+60°C
Gear Ratio	60 : 1
Precision	≤ 0.17 °

(Horizontal) 24VDC Motor Performance Data (24H/30/33)	
Rated Output Torque	33 N.m
Rated Output Speed	3 rpm
IP Class	IP 65 db
Gear Ratio	575:1
Rated Current	<1.9A
Operation temperature	-40°C - +60°C
(Elevation) 24VDC Motor Performance Data (24H/30/100)	
Rated Output Torque	100 N.m
Rated Output Speed	3 rpm
IP Class	IP 65 db
Gear Ratio	236:1
Rated Current	≤4.5A
Operation temperature	-40°C - +60°C



REV	DATE	REVISER	REVISER		
DESIGNED BY	2019/8/1	Li Ming	 www.coresundrive.com Coresun Drive Equipment Changzhou Co., Ltd.		
CHECKED BY	2019/8/1	Rui Wang			
APPROVED BY	2019/8/1	Shane Zhang			
ALL PROPRIETARY RIGHTS IN THE SUBJECT MATTER HERE OF ARE RESERVED, AND NO PERMISSION IS GRANTED OR TO DISCLOSE REPRODUCE THIS PRINT IN WHOLE OR IN PART, ANY OF THE INFORMATION TO OTHERS.					
SYMBOLS ISO		WEIGHT	SCALE	<b>Slewing Drive</b> SVH7-71-60-RC-24H30100-C109	REV A
		SIZE	A3		
		SHEET	1 / 1		